

400 LED series

TECHNICAL FEATURES



Description

LED beacon for industrial and safety vehicles. Available version ICAO Certified.

OPTICAL FEATURES

European Compliance	ECE R65, R10		
Light Source	LED		
Optic	360°		
Colour	Amber or Blue		
Flashing mode	15 selectable modes + cruise light	Flashing (125 flashes per minute)	Flashing (125 flashes per minute)

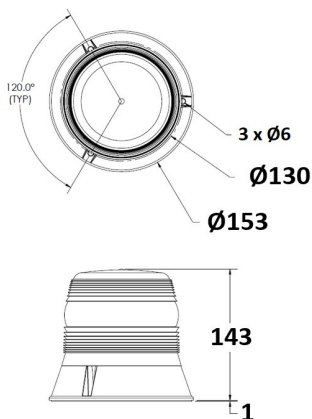
ELECTRICAL FEATURES

Power Supply	12 ÷ 24 Vdc (10 ÷ 30 Vdc)		
Current consumption @ 12 Vdc	0.9 A		
Power consumption @ 12 Vdc	10.8 W		
Insulation class	Class III		

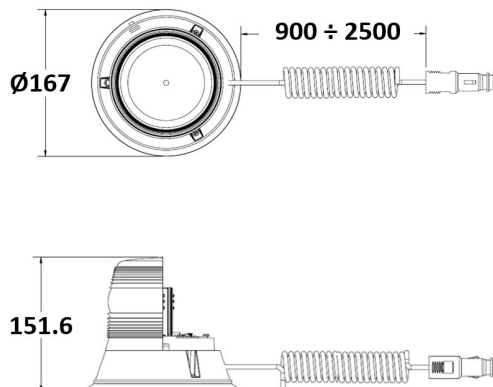
MECHANICAL FEATURES

Dimensions	Ø 153 x 143 mm	Ø 167 x 151.6 mm	Ø 134 x 208 mm
Lens material	Polycarbonate		
Base material	Polycarbonate	ABS	ABS
Weight	0.6 Kg	1 Kg	0.8 Kg
IP Protection Degree	IP65		
Operating Temperature	-30°C ÷ +50°C		
Fixing	Fixed	Magnetic	Flx

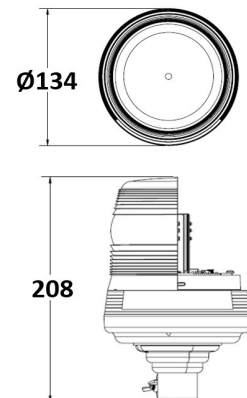
Permanente - Fixed



Magnetico - Magnetic



FLX



Rev. 3.0
18/09/2023

Approved TEC

Approved AQ