

Triangular backlit sign



TECHNICAL FEATURES



Description

Single-sided triangular LED sign according to EN12899 L2 class.

OPTICAL FEATURES

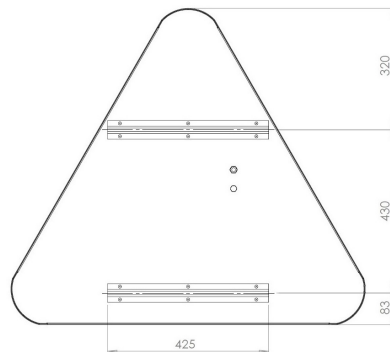
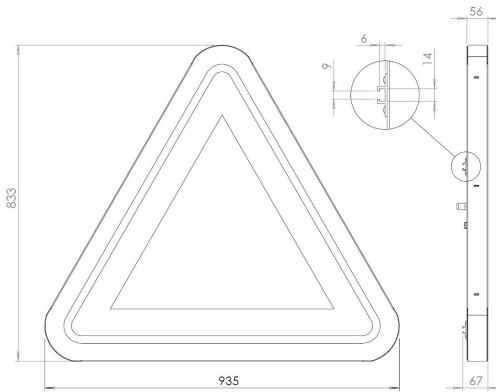
Light source	LEDs arranged on the 3 sides	
Optics	Single-side	
Emission Area	0.31 m ²	
Luminous intensity	275 cd	
Color	6000 K ÷ 8000 K	
Optical Group Life	> 50'000 Hours	

ELECTRICAL FEATURES

Power Supply	12 Vdc (11 Vdc ÷ 15 Vdc)	230 Vac
Power consumption	32 W	40 W
Insulation class	Class III	Class II

MECHANICAL FEATURES

Operating Temperature	-10 °C ÷ +55 °C	
IP Protection Degree	IP54	
Weight	10 kg	
Dimensions	833 x 935 x 67 mm	
Film	Transucent Class 2	
Connection	2x1 mm ² cable H07RN length 3.5 meters	
Fixing	Standard omega guides for brackets	



Rev. 3.0

03/10/2023

Approved TEC

Approved AQ