

# Circular backlit sign

## TECHNICAL FEATURES



### Description

Single-sided circular LED sign according to EN12899 L2 class.

### OPTICAL FEATURES

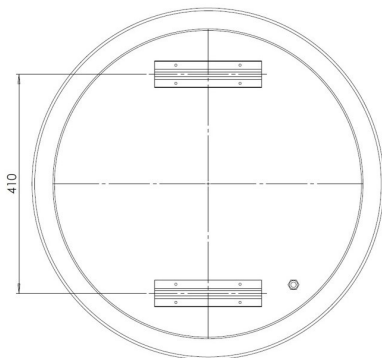
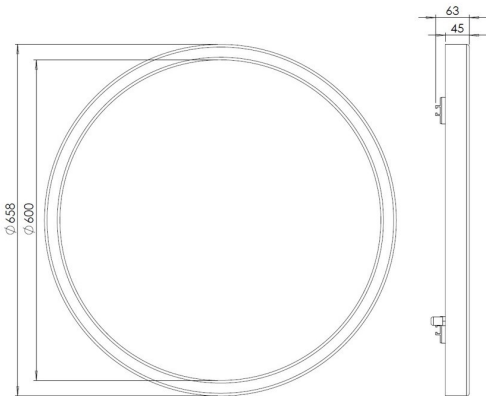
Light source	LEDs arranged on the circumference
Optics	Single-side
Emission Area	0.28 m <sup>2</sup>
Luminous intensity	65 cd
Color	6000 K ÷ 8000 K
Optical Group Life	> 50'000 Hours

### ELECTRICAL FEATURES

Power Supply	12 Vdc (11 Vdc ÷ 15 Vdc)
Power consumption	17 W
Insulation class	Class III

### MECHANICAL FEATURES

Operating Temperature	-10 °C ÷ +55 °C
IP Protection Degree	IP54
Weight	5 kg
Dimensions	Ø 658 mm x 63 mm
Film	Transucent Class 2
Connection	2x1 mm <sup>2</sup> cable H07RN length 3.5 meters
Fixing	Standard omega guides for brackets



Rev. 3.0

03/10/2023

Approved TEC

Approved AQ