

# 90x90 BOLD backlit sign double-sided



## TECHNICAL FEATURES



### Description

Double-sided square backlit sign according to EN12899 L2 class. The device can be combined with a Trilogy LED luminaire.

### OPTICAL FEATURES

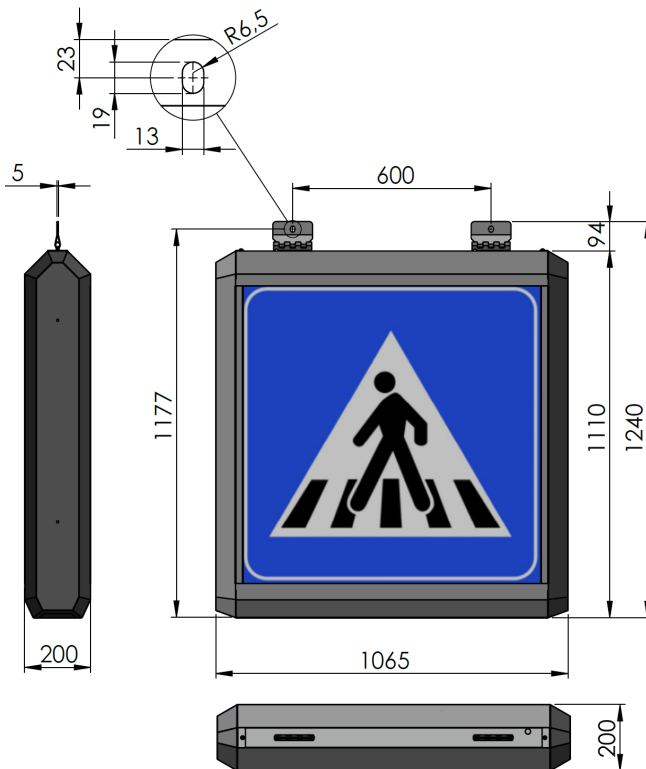
Light source	LEDs arranged on the 4 sides
Optics	Double-side
Emission Area	0.8 m <sup>2</sup>
Luminous intensity	380 cd
Color	6000 K ÷ 8000 K
Optical Group Life	> 50'000 Hours

### ELECTRICAL FEATURES

Power Supply	230 Vac
Power consumption	42 W
Insulation class	Class II

### MECHANICAL FEATURES

Operating Temperature	-10 °C ÷ +55 °C
IP Protection Degree	IP54
Weight	35 Kg
Dimensions	1065 x 1240 x 200 mm
Film	No, equipped with a silk-screened glass
Connection	2x1 mm <sup>2</sup> cable H07RN length 3.5 meters
Fixing	Arrangement for portal mounting (brackets not included)



Rev. 3.0  
18/12/2023

Approved TEC

Approved AQ