

MPB control unit

TECHNICAL FEATURES



Description

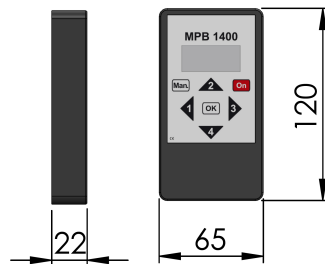
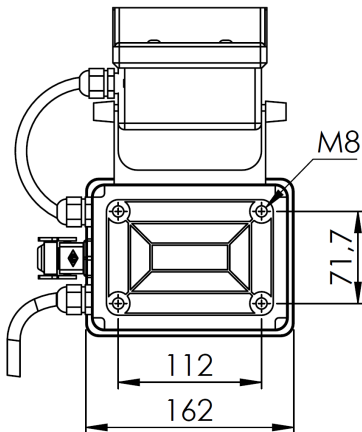
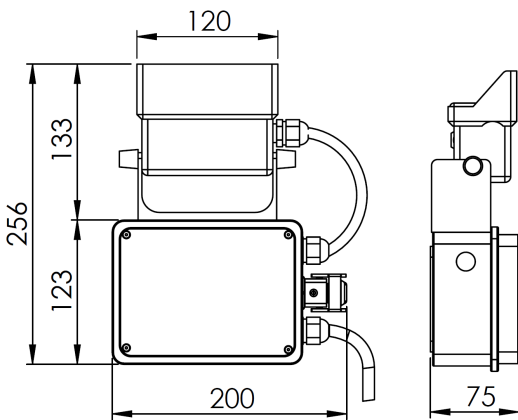
Control unit with quartz synchronization for the management of alternate one-way, T intersection and 4-way intersection. Suitable for outdoors use.

ELECTRICAL FEATURES

Power supply	12 Vdc
Power consumption @ 12 Vdc	0.5 W
Synchronization	Quartz synchronization
Memory time (without power supply)	5 min
Operating mode	Automatic; Flashing; Manual; Standby (off without losing of synchronism)
Connections	Battery clamps
Protections	Short circuit
Insulation class	Class III

MECHANICAL FEATURES

Operating Temperature	-10 °C ÷ +55 °C
MPB control unit weight	717 g (battery clamps included)
Remote control weight	147 g
MPB control unit dimensions	200 x 256 x 75 mm
Remote control dimensions	65 x 120 x 22 mm
Material	Plastic



Rev. 3.0
25/01/2024

Approved TEC

Approved AQ