

# Basic80

## TECHNICAL FEATURES



### Reference standards :

EN12352: L2L / L2H - P1 - C1 / C0 - R0 - A0 - V0 - I0 - F1 - O0 - M3 - T1 - S0  
 EN50293 - EN60529 - EN60598-1 - 2011/65/UE - 2011/305/UE - 2012/19/UE - 2014/30/UE

### OPTICAL CHARACTERISTICS

	●	●
	L2L - C1	L2H - C0
EN12352 class		
Light source	16 SMD LEDs	
Optics	Single-sided	
Color	Amber	Red
Luminous intensity	100 cd	
Duration of the optical group	> 50'000 hours	

### ELECTRICAL CHARACTERISTICS

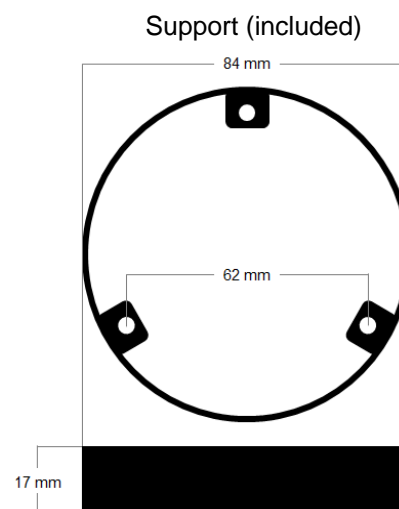
Supply	12/24 Vdc (11 Vdc ÷ 13 Vdc / 22 Vdc ÷ 26 Vdc)	
Nominal power	4.2 W @ 12 Vdc	4.0 W @ 12 Vdc
Nominal current	350 mA @ 12 Vdc	330 mA @ 12 Vdc
Protections	Reverse polarity	

### FLASHING

Frequency	Defined by External Command (steady light)
Duty Cycle	Defined by External Command (steady light)

### MECHANICAL CHARACTERISTICS

Operating temperature	- 25° C / + 55° C
Lens material	Polycarbonate
IP protection class	IP67
Weight	80 g
Dimensions	Ø 88 mm x 21.5 mm
Fixing	Rotation on its own support
Wiring	Supplied with 2x0.75 mm <sup>2</sup> cable and fixing support



Rev.2.2  
15/12/2020

Approved TEC

Approved AQ