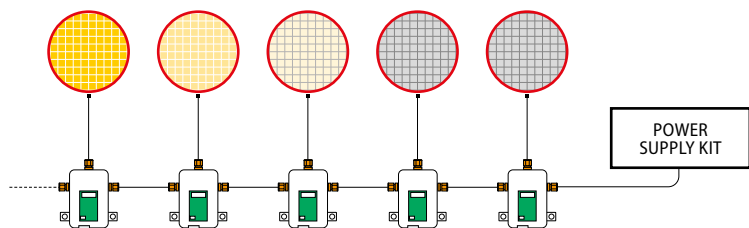


Basic sequences

Sequence lights systems with cable.
EN12352 certified LED lights.
 Supplied with M16 - M20 cable glands.



LED lights for sequential systems with external control.



BASIC 200



LEDBOX BASIC 201






BASIC 304



LEDBOX BASIC 304



Certification	EN12352	L8H (Basic 200/201) L9M (Basic 304)	
LED colour	●		
Sequence type	auto-config.	Input voltage	12/24 VDC 12 VDC
Powered by	 Power supply kit	 Power supply kit/ Battery	 Photovoltaic kit

